

ALL-SPEC

50 & 150 Series - 2.9 Mil Metal-In Static Shielding Bag

Description

The All-Spec 50 and 150 Series Metal-In Static Shielding Bags provide a static safe environment for sensitive electronic devices. The bags are made from a four layer film of metalized polyester and a static dissipative coating outer and inner layers. Polyester dielectric and metal layer provide a Faraday effect shielding of ESD and fields. Tribocharging is minimized by the specially processed polyethylene.

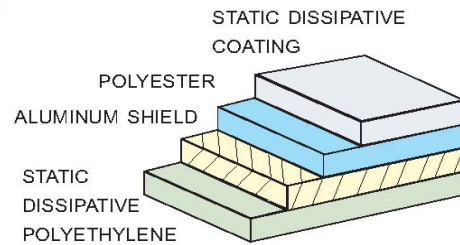


Applications

These transparent bags are intended for packaging of static sensitive electronic components without the loss of visibility for identification. Product is safe for automatic bag sealing machines.

Material Structure

The metal-in shielding bag consists of a four-layer film of a static dissipative coating outer layer, buried polyester, buried aluminum shield and a static dissipative inner layer.



Product Specifications

Electrical Properties	Test Method	Test Results
Surface Resistivity:	ASTM D-257 @ 15% RH	< 10 ¹¹ Ohms/SQ
Electrostatic Decay:	FTMS 101 method 4046	.01 seconds
Capacitance Probe:	EIA-541	< 10 Volts Difference
Metal Layer:	ETS-8C3 @ 15% RH	<100 Ohms

Chemical Properties	Test Method	Test Results
Contact Corrosivity:	FTMS 101C method 3005	No visible signs after testing at deterioration

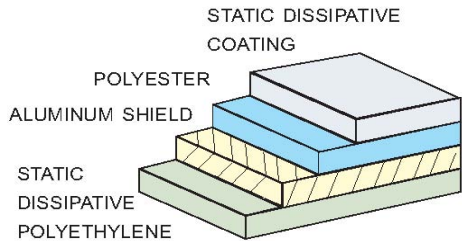
Physical Properties	Test Method	Test Results
Thickness:	PST #001	2.9 mil
Tensile Strength:	ASTM D-882	15 lbs/in
Puncture Resistance:	FTMS 101C method 2065	> 12 lbs
Mullen Burst:	ASTM D-774	82 PSI
Seam Strength:	ASTM D-882	> 12 lbs/in
Haze:	ASTM D-1003	4%
Transparency:	ASTM D-1003	40%

Heat Sealing	Temperature	Time	Pressure
Recommended Conditions:	250° F to 375° F	.5 to 3.5 seconds	30 to 70 PSI

The values shown above were taken from random samples of material we believe to be typical for the product; however, actual values may vary somewhat from those listed above. All-Spec makes no warranty, expressed or implied, as to the suitability of these materials for any specific use. Customers should determine product suitability based upon their own initial criteria and testing.

ALL-SPEC

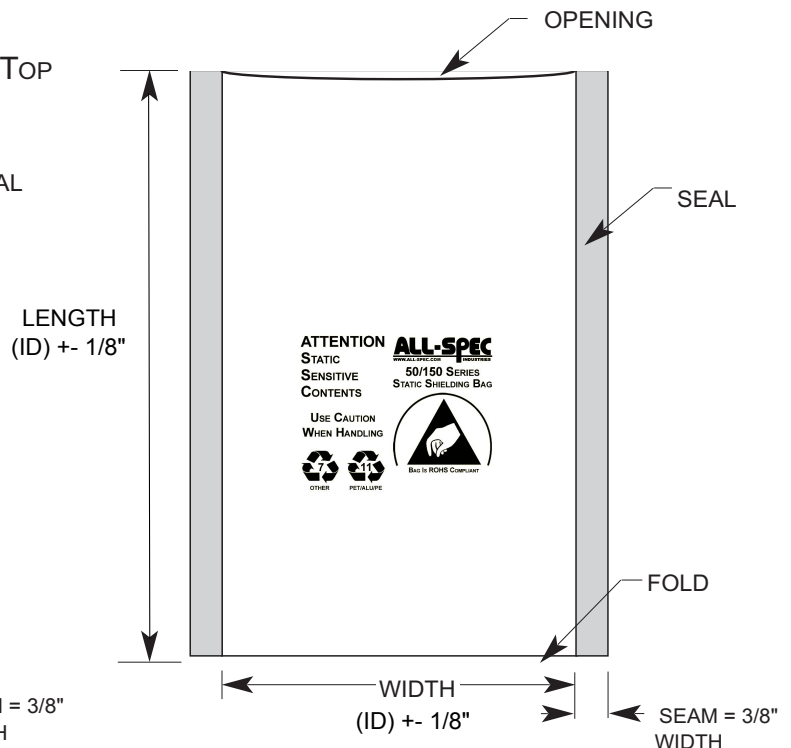
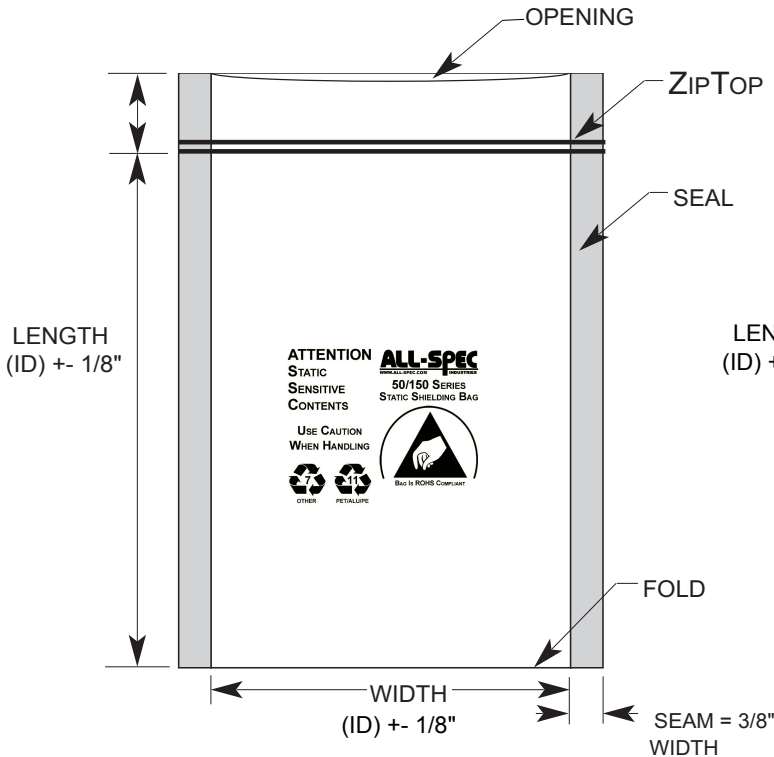
50 & 150 Series - 2.9 Mil Metal-In Static Shielding Bag



Product Tolerances:

Descriptions state the (ID) inside dimensions ("W'idth x 'L'ength) of the bag.

- Overall tolerance is +/- 1/8" for (ID) and (OD)
- Seam width is 3/8"
- The width (OD) is 3/4" more than the width (ID)
- For open top bags, the length (OD) is the same as the length (ID)
- For zip-top bags, the length (OD) is 3/4" more than the length (ID)



The values shown above were taken from random samples of material we believe to be typical for the product; however, actual values may vary somewhat from those listed above. All-Spec makes no warranty, expressed or implied, as to the suitability of these materials for any specific use. Customers should determine product suitability based upon their own initial criteria and testing.