

KDS808, KDS834A/KDS824A SHOT METER

FEATURES

- 4 POSITION, PUSH-BUTTON SWITCH (.01 TO 99.99 SECONDS)
- LEAD INDICATOR LIGHT
- 110/230 VAC SWITCH



WARNING: A FILTERED AIR LINE IS REQUIRED TO KEEP THE WARRANTY IN EFFECT.

WARNING: BE SURE THE BULKHEAD FITTING ON THE BACK OF THE UNIT DOES NOT TURN WHEN THE AIR LINE IS INSTALLED.

WARNING: BE SURE THE VOLTAGE SELECTOR SWITCH ON THE BACK OF THE UNIT IS SET TO 115 OR 230 VOLT (AS REQUIRED).

WARNING: WHEN USING VACUUM, BE CAREFUL NOT TO ALLOW MATERIAL TO BE SUCKED UP.

AVERTISSEMENT: L'UTILISATION D'UNE CONDUITE D'AIR AVEC FILTRE EST INDISPENSABLE SINON PAS DE GARANTIE.

AVERTISSEMENT: VEILLER À CE QUE LE RACCORD SITUÉ À L'ARRIÈRE DE L'APPAREIL NE TOURNE PAS LORS DE L'INSTALLATION DE LA CONDUITE D'AIR.

AVERTISSEMENT: VEILLER À CE QUE LE SECTEUR DE TENSION SOIT BIEN SUR 115 OU 230 VOLTS SELON LE CAS.

AVERTISSEMENT: EN CAS D'UTILISATION D'UN DISPOSITIF D'ASPIRATION, VEILLER À CE QU'AUCUN OBJET NE SOIT ASPIRÉ DANS LES TUYAUX ET L'INJECTEUR (CONTROLEUR)..

WARNHINWEISE: DAMIT DIE GARANTIE NICHT VERFÄLLT, MUSS DIE DRUCKLUFTLEITUNG MIT EINEM FILTER VERSEHEN SEIN.

WARNHINWEISE: BEIM ANSCHLIESSEN DER LUFTLEITUNG DARF SICH DER SCHLAUCHANSCHLUSS AUF DER RÜCKSEITE DER EINHEIT NICHT DREHEN.

WARNHINWEISE: DER NETZSPANNUNGSWAHLSCHALTER AUF DER RÜCKSEITE DER EINHEIT MUSS JE NACH BEDARF AUF 115 ODER 230 VOLT EINGESTELLT WERDEN.

WARNHINWEISE: BEI ARBEITEN MIT VAKUUM MUSS SICHERGESTELLT WERDEN, DASS KEIN MATERIAL DURCH DIE SCHLÄUCHE ANGESAUGT WIRD UND IN DAS DOSIERGERÄT GELANGT.

ATTENZIONE: UNA LINEA D'ARIA CON FILTRO É NECESSARIA PER MANTENERE VALIDA LA GARANZIA.

ATTENZIONE: ASSICURARSI CHE LA GUARNIZIONE PARATIA SUL RETRO DELL'UNITÁ NON GIRI QUANDO LA LINEA D'ARIA É INSTALLATA.

ATTENZIONE: ASSICURARSI CHE IL SELETTORE DI TENSIONE SUL RETRO DELL'UNITÁ SIA SETTATO A 115 O 230 VOLT (SECONDO NECESSITÀ).

ATTENZIONE: QUANDO SI USA L'ASPIRAZIONE FARE ATTENZIONE A NON PERMETTERE AL MATERIALE DI ESSERE SUCCHIATO NEI TUBI E DENTRO IL MISURATORE DI INIEZIONE (CONTROLORE).



UNPACKING

Unpack the shipping box and carefully inspect contents for any damage which may have occurred in transit. If such damage has occurred, notify the carrier at once. Claims for damage must be made by the consignee to the carrier.

WARRANTY

The enclosed Shot Meter has been thoroughly tested and inspected, and has a 1 year warranty against defects in materials and workmanship from date of sale. **See page 12 for complete Warranty Information.** Repairs or parts replacement required as a result of defects in materials and workmanship will be made at no charge, if the unit is returned freight pre-paid. Contact factory for return authorization. **A filtered air line is required to keep the warranty in effect.**

The manufacturer or its distributors are not responsible for contingent liability.

MAINTENANCE

The Shot Meters are designed as precision instruments, to give trouble free service under normal use conditions. The cabinet should be kept clean and free of dust, dirt and foreign matter. The syringe adapter should be kept free of material being dispensed. If the material does accumulate on the adapter, wipe it clean with solvent.

PROCEDURE KDS808

1. Connect a filtered air supply (100 psi maximum) to the connector in the rear panel of the unit. **WARNING: Be sure the bulkhead air fitting on the back of the unit does not turn when air line is installed.**
2. Plug electrical cord into back of unit and into available outlet.
3. Plug the foot switch into 3 prong connector located on the back of the unit.
4. To dispense from syringe, insert syringe adapter assembly fitting into coupler located on the front of the panel turn clockwise 1/4 turn to lock.
5. Press switch to **"ON"**.
6. Adjust regulator knob to desired pressure.
7. Depress foot switch to activate the KDS808; release pedal to stop the dispenser.



PROCEDURE KDS834A/824A

1. Connect filtered air supply (100 psi maximum) to the connector on the rear panel of the unit. **WARNING: Be sure the bulkhead air fitting on the back of the unit does not turn when the air line is installed.**
2. Plug electrical cord into back of unit and into available outlet.
3. Plug the foot switch into 3 prong connector located on the back of the unit.
4. To dispense from syringe, insert syringe adapter assembly into coupler located on the front of the panel turn clockwise 1/4 turn to lock.
5. Press switch to **"TIME"** for a timed shot.
6. Press switch to **"MANUAL"** to bypass the timer and dispense manually.
7. Adjust regulator knob to desired pressure.
8. Set timer to desired time interval. The 4 Position, push-button switch has a time range from .01 to 99.99 seconds.
9. Depress foot switch. Pressure on the foot pedal can be released immediately and timer will complete its cycle.



KDS808, KDS834A, KDS824A VACUUM OPERATION

The KDS834A Shot Meter incorporates a vacuum venturi system, which provides a vacuum to the syringe, between shots. The vacuum system is useful to prevent dripping of the material at the end of a "shot". The vacuum is applied by merely turning the vacuum knob (in the direction of the arrow to increase the vacuum). Usually the vacuum should be turned on only until you hear a hissing noise. The vacuum can also prevent stringing or threading of material onto the part being worked on.

IMPORTANT:

When using the vacuum option, be careful not to allow any material to be “sucked” up through the entire system. This could freeze the unit, necessitating replacement of lines, valves and fittings.

There are 3 ways to prevent this:

1. Keep vacuum pressure to the very minimum.
2. Always use a stopper in the syringe barrel.
3. Use an in-line filter (KDSFIL) on the syringe adapter hose.

**KDS834A, KDS824A ONLY
FOR MANUAL OPERATION**

If the application requires the dispensing of variable amounts of material and must be controlled by the operator, use “manual” setting. This removes the timed circuitry from operation, and gives the operator complete control of the dispensing by using the foot switch.

**FOR KDS824A ONLY
ACCESSORY SYSTEM OPERATION**

When using accessory dispensing systems, the accessory outlet is used to supply pressure to the reservoir, whatever the reservoir may be. The accessory regulator and gauge are already built into the KDS824A. Attach the dispensing valve to the front panel marked “timed air outlet”. Attach the reservoir (ie: production gunstand, tank, batch mixer, etc.) to the accessory side of the shot meter. The amount of pressure to the reservoir is controlled by the regulator and gauge (right side).

WARRANTY

Cooper Tools warrants that the goods described in this warranty are free from defects in workmanship and materials for a period of one (1) year.

FOR BREACH OF THE EXPRESS WARRANTY AND ANY IMPLIED WARRANTY ON THIS PRODUCT, YOU ARE LIMITED TO THE FOLLOWING DAMAGES:

IF WITHIN ONE (1) YEAR FROM THE DATE OF PURCHASE, THIS PRODUCT FAILS DUE TO A DEFECT IN MATERIALS OR WORKMANSHIP, COOPER TOOLS WILL REPAIR OR REPLACE IT FREE OF CHARGE. IN NO EVENT SHALL COOPER TOOLS BE LIABLE FOR INCIDENTAL OR CONSEQUENTIAL DAMAGES. COOPER TOOLS’ LIABILITY FOR ANY CLAIMS ARISING OUT OF THIS WARRANTY SHALL NOT EXCEED THE PURCHASE PRICE OF THE PRODUCT.

NOTE: SOME STATES DO NOT ALLOW THE EXCLUSION OR LIMITATION OF INCIDENTAL OR CONSEQUENTIAL DAMAGES, SO THE ABOVE LIMITATION OR EXCLUSION MAY NOT APPLY TO YOU.

This warranty does not cover damage resulting from accident or from misuse or alteration of the product, including the use of a non-Weller or Cooper Tools parts.

The term of this warranty begins on the date the product is purchased by you, and continues for a period of one (1) year from that date.

To obtain performance of any obligation under this warranty, you must return the complete product prepaid, together with a description of the problem, approximate date of purchase, your name, address and telephone number to:

USA

**Cooper Tools - Weller
1000 Lufkin Road
Apex, North Carolina 27539
Attn: The Repair Department
FAX: 919-387-2640
Phone: 1-800-476-3030**

Canada

**Cooper Tools
164 Innisfil Street
Barrie, Ontario, Canada L4N 3E7
Attn: Repairs
FAX: 1-800-403-8665
Phone: 705-728-5564 Ext. 2026**

This warranty gives you specific legal rights, and you may also have other rights that vary from state to state.

REPLACEMENT PARTS

Part Numbers	Description
KDS825	PANEL MOUNT COUPLER
KDS600086	TRANSFORMER
KDS82405E	SOLENOID
KDS815	VENTURI
KDS80405B	REGULATOR
KDS804006	GAUGE
KDS75053	CIRCUIT BOARD
KDS8248	FOOT PEDAL
KDS82418	POWER CORD

**WARNING: Opening the unit
VOIDS THE WARRANTY**

ACCESSORIES

Kahnetics offers a full line of accessories for your dispensing equipment.

Material	Part Number	Description	I.D.	O.D.
Stainless Steel Needles	KDS14 - KDS30	Stainless Steel Needles	.067" - .005"	.068" - .012"
Polyethylene	KDS14TN - KDS24TN	Plastic Taper Tip Needles	.062" - .013"	N/A
N/A	KDS805FS	Finger Switch	N/A	N/A
N/A	KDS503S6 - KDS530S6	Universal Syringe Adapter	N/A	N/A
N/A	KDSFIL	In Line Filter	N/A	N/A
N/A	KDS816	Syringe Stand	N/A	N/A

**Accessory parts are available for the Universal Syringe Adapter.
Contact Factory for more information.**

TROUBLE SHOOTING

Symptom	Solution
If you hear air leaking:	<ul style="list-style-type: none"> • Make sure vacuum is turned off. When vacuum is turned on, it is normal to hear a hissing sound. • Check all fittings that may have hoses attached to them. Make sure they are fully attached, or clamped. Make sure the hoses do not have a crack or split in them. If so, disconnect the hose from the fitting or clamp, cut off about 1/4 inch, and re-attach. IMPORTANT: Please do this when the unit is disconnected fully from the air source. It is also a good idea to unplug the unit. • Check fittings and air line connected to the back of the unit, and make sure Teflon tape is used, and that the fittings are securely connected. WARNING: Make sure when attaching any fitting to the back of the unit (1/4 inch female opening), that you do not turn the hex fitting coming out of the back of the dispensing unit. You must securely hold the hex fitting in place when attaching an external hose and fitting to the dispenser.
SYRINGE DISPENSING	
Dripping out of a syringe:	<ul style="list-style-type: none"> • Turn the syringe upside down, and in manual mode, dispense material into a paper towel with the syringe upside down. This may release any trapped air between the syringe tip and the needle. • Make sure there is no air trapped between the stopper inside the syringe and the material. If the stopper is not flush against the material-please do the following: <ul style="list-style-type: none"> • With plastic stoppers in syringe: take the adapter off the syringe so you can access the back of the syringe. With the rubber end of a pencil, push the stopper flush against the material. • With rubber stoppers in syringe: take the adapter off the syringe so you can access the back of the syringe. Take a paper clip, and extend it straight, and insert it in the back end of the syringe-towards any side of the rubber stopper. Keep on pushing the paper clip until it comes in contact with some material. Then take a rubber end of a pencil and push the rubber stopper flush against the material. • If this is a lot of air mixed in your material, re-load a new syringe with material trying to keep the syringe as air-free as possible. • Replace the needle with a new one. Try using a tapered plastic needle instead of the straight design metal/plastic needles. This may create less opportunity for dripping. • Always use the largest orifice (needle) and the least amount of air pressure in combination to achieve optimum results.

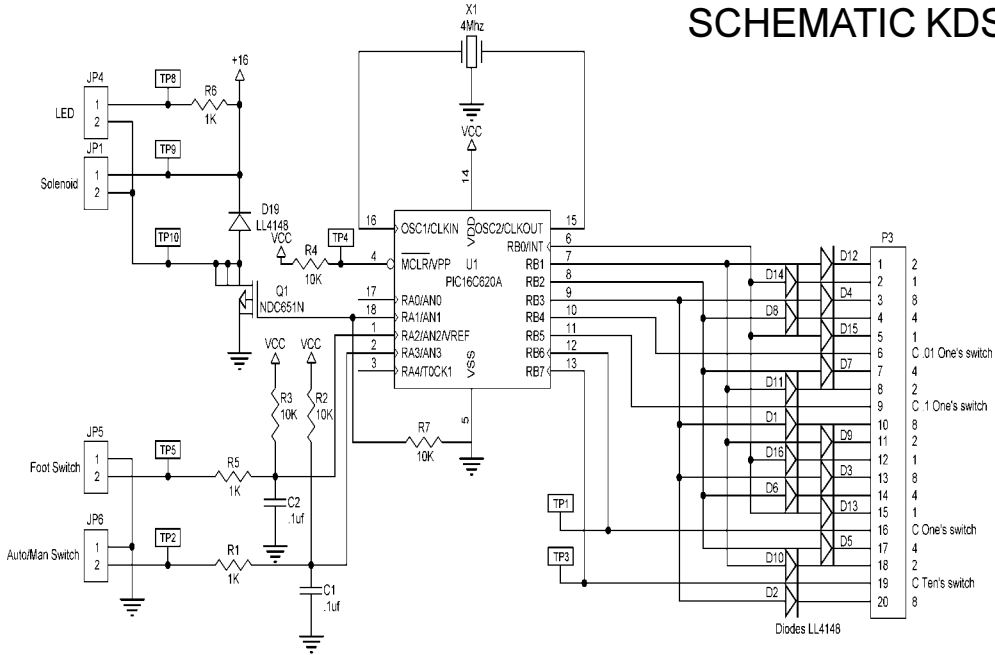
***For units with Timers only.**

TROUBLE SHOOTING

Symptom	Solution
Controllers-General	
If material does not dispense:	<ul style="list-style-type: none"> • *Check the dispenser to see if the timer is set at a dispense time, if dispensing in timed mode. If the timer is set at 00.00 the unit will not activate. • Check the quick disconnect fitting in the front of the unit and make sure the male portion (which is connected to the syringe adapter of valve) is properly connected. You must have it inserted and twisted 1/4 of a turn clockwise. If it isn't completely attached, air is not sufficiently getting to the syringe or valve. • Make sure you are operating the machine on the proper voltage selection (see the back of the unit). • Check all electrical connections both to the unit, and to the electrical outlet. • Check the fuse in the back of the unit to make sure it has not blown. (Some models will have a circuit breaker). • Make sure the unit is in the "ON" position, and the light is illuminated on the switch. • Make sure in house air is connected and regulator is turned on.
If your are not getting the proper amount of material:	<ul style="list-style-type: none"> • Adjust the pressure regulator accordingly to your application, to get the desired flow rate. • Change the needle size to adjust to your application. Kahnetics offers needle gauges from 14 to 32 gauge. • *Change the timer setting to increase or decrease the length of time the dispenser activates. Use the 1/100th of a second button for fine tuning. • *Please note-the first shot of material, especially when operating in timed mode, may not be consistent with the settings. Always run material in manual mode before starting the timed sequence, or initiate several timed shots before continuing dispensing.
If the unit makes a buzzing noise:	<ul style="list-style-type: none"> • Check for proper voltage selection (110/220). • You may have faulty solenoid. Contact Weller for information regarding service or repair at (800) 476-3030 Ext. 2 (Customer Service).

***For units with Times only.**

SCHEMATIC KDS824A AND KDS834A



SCHEMATIC KDS808

