

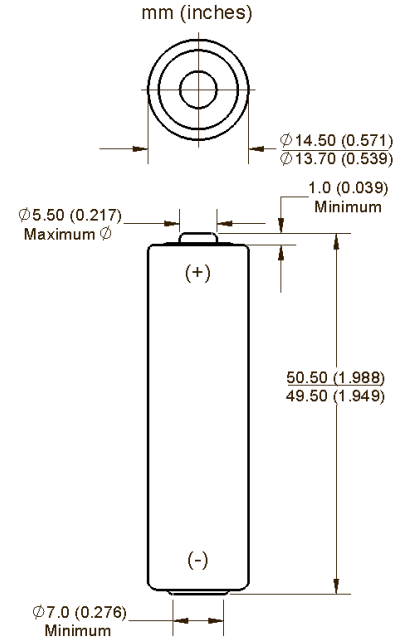


Rayovac Stock Number: 815, 815 OEM, AA ULTRA PRO

Specifications

Chemistry:	Alkaline (Zinc-Manganese Dioxide)
Designation:	ANSI - 15A, IEC – LR6
Nominal Voltage:	1.5 volts
Approximate Weight:	0.8 Oz (24.4 grams)
Approximate Volume:	0.45 CU IN (7.4 cc)
Operating Temp:	-30°C to 55°C (-20°F to 130°F)
Shelf Life:	10 years at 21°C
Terminals:	Flat Contact
Case material:	Plastic Film
Environmental:	No mercury added formulation. Meets Environmental Protection Agency (EPA) requirements for landfill disposal. Rayovac Material Safety Sheets

ANSI / IEC Standard Dimensions



Typical Service Life – ANSI Application Tests

Name	Test	Runtime	mAh
Digital Camera	DSC 1.5/.65K MW 2/.1/27.9S 10X EV 1HR 21C to 1.05V	0.85 hours	450
Grooming	750 MA 1 HR/DY 21C to 1.1 V	1.25 hours	940
Lighting	3.9 Ω 21C to 0.9V	8.1 hours	2420
Toy	3.9 Ω 21C to 0.9V	8.7 hours	2370
CD / Games	250 MA 1 HR/DY 21C to 0.9 V	9.33 hours	2320
Digital Audio	100 MA 1 HR/DY 21C to 0.9 V	26.2 hours	2620
Remote/Radio/Clock	50 MA 1 HR/DY 21C to 0.9 V	52.5 hours	2620