

Instructions
for
EDSYN^{INC}®
FXF11
FUMINATOR™
Fume Extractor Fan



Power Supply

Standard (U.S.A.)

-1 (No Transformer)

-100 (Japan)

-230 (Europe)

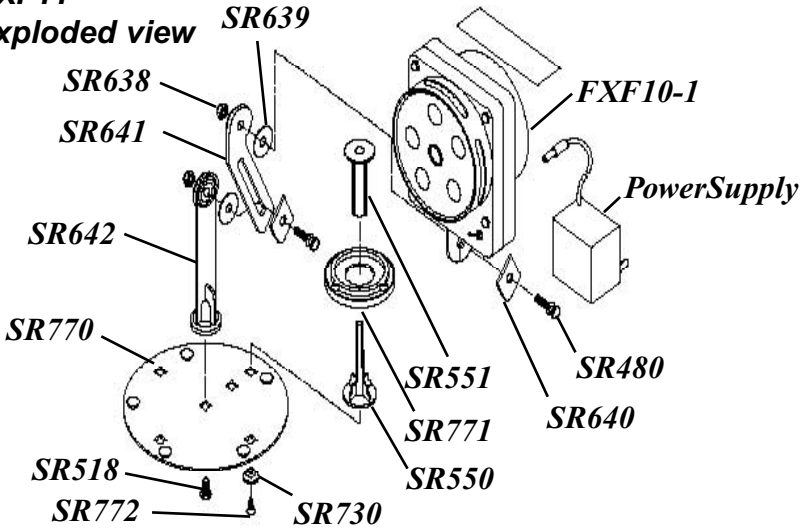
-230B (U.K.)

Solder not included

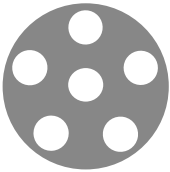
(Design, colors and materials subject to change without notice)

Form.878
Rev C

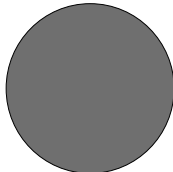
FXF11
exploded view



XF01
Filter Set



XF02
Primary Rotating Filter

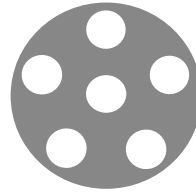


XF03
Charcoal Impregnated Stationary Filter

XF02

Primary Rotating Filter

The XF02 filter element rotates at the same speed as the fan blades. Fumes and nail residues are evenly distributed.



(set of 5)

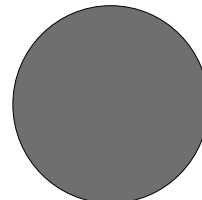
XF01 Filter Set with 1 - XF02 and 1 - XF03

XF02 Primary Rotating Filter (set of 5)

XF03 Charcoal Impregnated Stationary Filter (set of 5)

XF03

Charcoal Impregnated Stationary Filter



(set of 5)

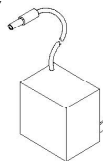
power supply

SR571 for 100V (Japan)

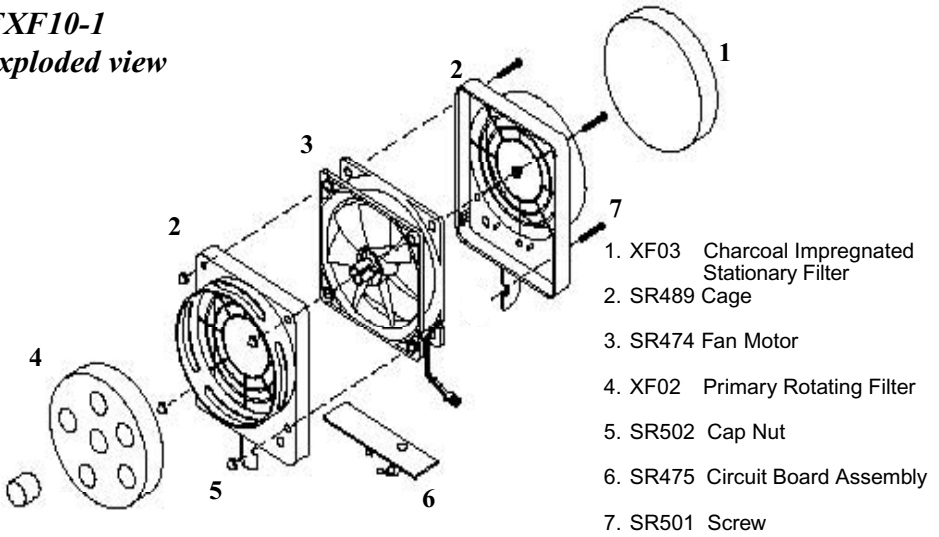
SR538 for 115V (U.S.A.)

SR572 for 230V (Europe)

SR821 for 230B (U.K.)



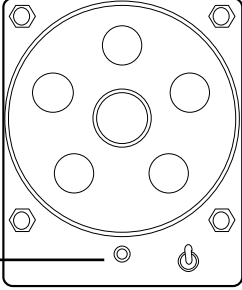
FXF10-1
exploded view



- 1. XF03 Charcoal Impregnated Stationary Filter
- 2. SR489 Cage
- 3. SR474 Fan Motor
- 4. XF02 Primary Rotating Filter
- 5. SR502 Cap Nut
- 6. SR475 Circuit Board Assembly
- 7. SR501 Screw

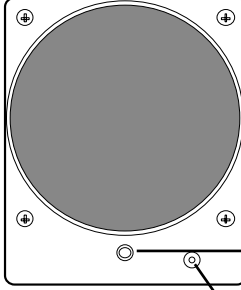
Filter Replacement

1. Pull out dirty filter from hub when fan is off.
2. Replace with new XF02 Primary Rotating Filter



Green LED
(indicates air flow towards fan)

Front View
(air input)

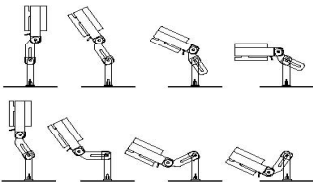


Yellow LED
(indicates air flow away from fan)

Rear View
(air output)

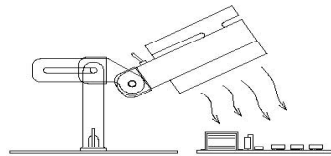
Universal 12VDC Input
Jack Type: J4 Female 2.1 mm x 5.5 mm. Recommended 12VDC, 500mA Power Supply

Variable Positioning



when extracting residue from the air.

For Removing Fumes



Position the FXF11 close to the working area to extract residue from the air.

The XF02 and XF03 filter elements can be used separately. For maximum filtration, install both filters.

features

- Powerful 12V fan motor removes unwanted fumes, powder residues and odors from the air
- Can be used to either filter or blow dry clients nails
- Ultra-quiet operation
- Rotating front filter provides filtration eight times better than a stationary filter
- Bright front (green) and rear (yellow) LED's to indicate power and air flow direction
- Adjustable to almost any working angle
- Quick filter replacement
- Internal safety grills

specifications

Power
Requirements 12VDC

Overall
Dimension 5.5"W x 12"H x 5.5"D
140 mm x 305 mm x 140 mm

Weight 1.09 lbs (.49 kg)

Design, color and material subject to change
without notice



EDSYN INC[®]

...the power of precision

Phone (sales): 818.989.2324 • FAX: 818.997.0895
Email: info@edsyn.com • Internet: www.edsyn.com

©Copyright 2002 by EDSYN®, Inc.

patented

made in U.S.A.